

## STAIR LIFTS

If handling stairs in your home is difficult or unsafe, let us save you the trouble of struggling up and down. With smooth rack and pinion drive and battery power, our Stair Lifts will effortlessly take you up and down the stairway, even during a power outage. The neutral colors and modern appearance can coordinate with practically any décor, and its slim rail and carriage save room on the steps to allow others access past the lift.

### Straight Stair Lift

Our Stair Lifts for straight stairs are easily installed in 2 hours. There is so easy in-fact that we sell these as a do-it-yourself kit. This is a very economical way to acquire assistance between floors.

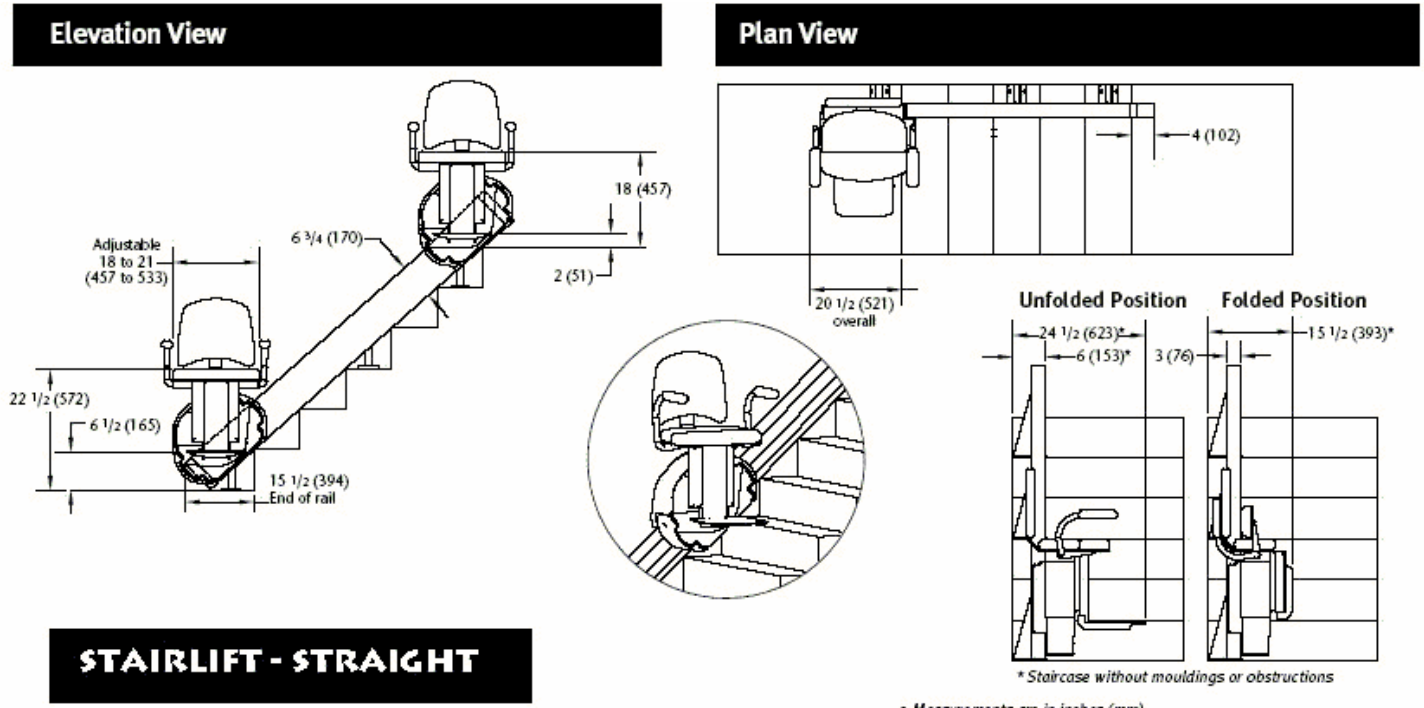
#### Standard Features:

- Electronic controller with soft start
- 115 VAC - plugged in at top or bottom landing
- Rack and pinion drive
- Rigid and compact aluminum extrusion rail
- Support posts anchored to stair treads (Not mounted on wall)
- 300 lb (136 kg) capacity
- "Almond beige" seat and rail
- Adjustable width between armrests from 18" to 21" wide (457 to 533mm)
- 1/2 hp, 24 VDC motor
- Battery-powered 24-volt motor
- Pair of 12-volt, maintenance-free batteries
- Charger plugged in at top or bottom landing 110 VAC, 60 Hz outlet
- Fused control circuit
- Wireless infrared call-send controls at both landings
- Continuous pressure buttons
- Aluminum rail on 6" (152 mm) from wall
- 3" (76 mm) rail overhang at top landing with seat height of 18" (457mm)
- 22 1/2" (572 mm) seat height at bottom landing
- Adjustable seat height
- Unit is completely reversible on site for quick installation



- Lateral adjustment on footrest for uneven treads
- Foldable footrest, seat and padded armrests
- Seat that swivels and locks in 45° and 90° positions both directions
- Seatbelt and seat swivel switch

## Observation elevators Layout Plan & Standard Dimensions



- Measurements are in inches (mm).
- These drawings should be used for reference purposes only.
- Measurements and features may change without notice.